

Conveyor T3/T4



Standard features:

- Buffering conveyor sections
- Stable and rigid construction
- PLC controlled
- Motorized width adjustment
- SMEMA interface

The T3/T4 conveyor is a sectioned conveyor with a rigid framework. Each side and section of the conveyor has its own motor, belt and board-present sensor, enabling a board to be buffered on each section and provide smooth, reliable transportation of PCBs.

Communication with preceding and following units is done via the standard SMEMA interface, which makes the conveyor easy to install in an electronics assembly line.

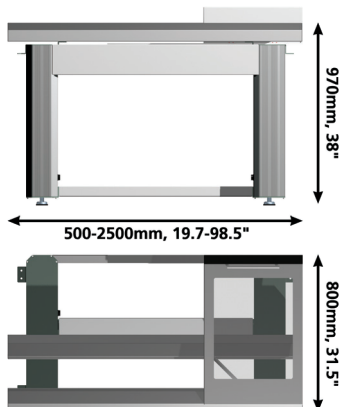
Conveyor width adjustment is motorized as standard. Motors and cables are housed in the conveyor profile, giving a clean outlook to the unit. The conveyor frame is used for housing connectors, PLC and associated control electronics.

Technical information:

- Board transport level: 940 ± 30 mm (37 ± 1.2")
- Board length T3: 70 - 470 mm (2.8 - 18.5")
- Board length T4: 70 - 640 mm (2.8 - 25.2")
- Board width: 50 - 508 mm (2 - 20")
- Min. board thickness: 0.7 mm (0.028")
- Max. board weight: 3 kg (6.6 lbs)
- Board edge clearance: 3 mm (0.12")
- Top/bottom clearance: 25/20 mm (1.0/0.8")
- Max. board warpage width: 0.5%
- Voltage: 100 - 240 VAC, 50/60 Hz
- Max. power consumption: 0.3 kWh
- SMEMA Interface

Options:

- Adjustable transport speed
- Automatic width adjustment
- Barcode reader
- Start of line/End of line function
- Board stop for inspection
- See order guide for more options



Order codes: Conveyor T3 500mm, K-017-0516
 Conveyor T3 1000mm, K-017-0518
 Conveyor T3 1500mm, K-017-0519

Conveyor T4 700mm, K-017-0517
 Conveyor T4 1000mm, K-017-0522
 Conveyor T4 1500mm, K-017-0523
 Conveyor T4 2000mm, K-017-0524